

The World's Most Trusted Industrial Torque and Tension Systems

XLCT™ SERIES

The Proven Limited Clearance Torque Wrench System



- The most used limited clearance torque wrench in the World
- Built to withstand the rigors of daily use in heavy industry
- Versatile for use with hex, 12-point, castle-nut sockets, etc
- Seven models with torque output up to 49,000 ft-lbs
- Uniswivel technology for free movement and positioning of tool and hoses
- Available with Square Drive Conversion Link for use with hex and allen sockets



24 Hour SERVICE

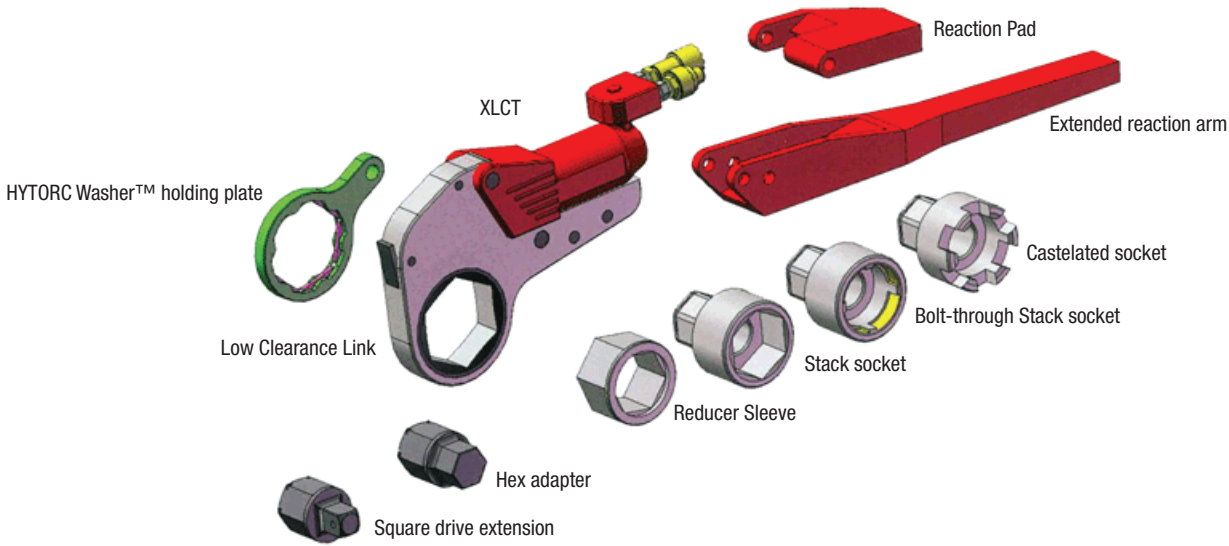
800-FOR-HYTORC

www.hytorc.com

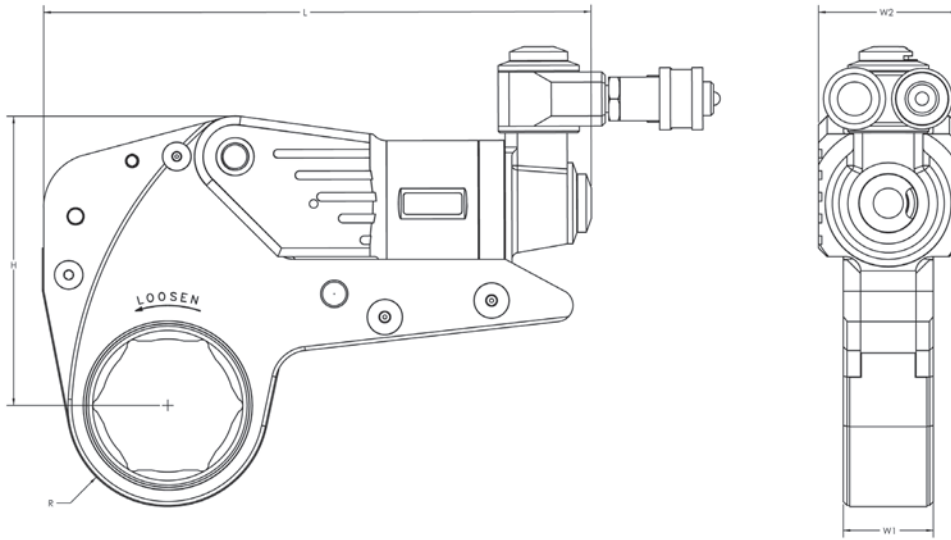
HYTORC®
Since 1968

333 RT. 17 N. MAHWAH, NJ 07430

ACCESSORIES



DIMENSIONAL DATA



	Sq. Drive	L	H	W1	W2	R	Weight (without link)	Min Torque	Max Torque
Model	Inches/mm						Lbs./Kg	Ft. Lbs./Nm	
XLCT-2	¾"/19.05	7.33/186.2	4.02/102.1	1.26/32.0	1.94/49.3	1.03 to 1.98 / 26.2 to 50.3	2.05/0.93	243/329	1687/2,287
XLCT-4	1"/25.4	10.06/256.0	5.36/136.1	1.68/42.7	2.58/65.5	1.32 to 2.67 / 33.5 to 67.8	4.25/1.9	580/786	3,855/5,226
XLCT-8	1-½"/38.1	12.08/306.8	6.69/169.9	2.08/52.9	2.23/56.6	1.78 to 2.91 / 45.2 to 73.9	7.15/3.3	1,142/1,549	8,149/11,049
XLCT-14	1-½"/38.1	14.14/359.2	8.04/204.2	2.5/63.5	3.63/92.2	2.62 to 3.48 / 66.6 to 88.4	11.3/5.1	2,010/2,725	13,398/18,165
XLCT-18	2-½"/63.5	14.41/366.0	9.08/230.6	2.82/71.6	4.38/111.3	2.58 to 4.21 / 65.5 to 106.9	14.85/6.8	2,676/3,628	17,843/24,191
XLCT-30	2-½"/63.5	16.80/426.7	10.71/272.0	3.33/84.6	5.17/131.2	3.02 to 4.71 / 76.7 to 119.6	23.8/10.8	4,578/6,207	30,982/42,005